

Safety Air Boy® 2 bar

Safety blowgun with automatic pressure reduction to below 2 bar

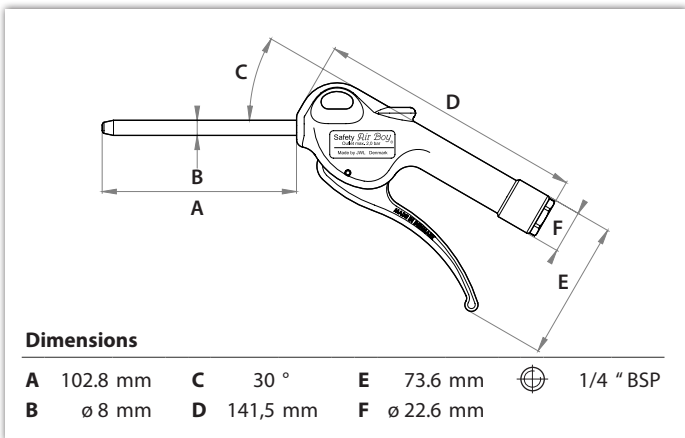
Safety Air Boy® blowgun with ø8mm straight pipe.

The Safety Air Boy blowgun is fitted with a pressure reduction valve inside the handle of the blowgun. Due to the construction, the outlet pressure is automatically limited to max 2 bar when the nozzle is blocked. This feature meets / exceeds the OSHA standard for output pressure (OSHA STD 1-13.1).

The noise level is minimal with a measured noise level of 68 dB at 8 bar and meets / exceeds the OSHA standard for occupational noise exposures (OSHA 1910.95 (b))

The JW L ergonomic design is a classic in itself. We use the compressed air to ease the activation of the handle making it easy, precise and simple to operate.

The Safety Air Boy® Classic is produced in an impact-resistant acetal plastic (POM)



25
Year Warranty
Jahre Garantie
ans de Garantie
años de garantía
års garanti

The durability of our blowguns is top notch - even after 28 million operations. Therefore, we are also proud to offer you a 25 year warranty on the valve system in your Air Boy® blowgun!

| Materials | | Specifications | | Directives | | |
|----------------------|-----------------------|---------------------------------|------------------|------------------|-------------------------|----|
| Handle and trigger | Acetal plastic | Max 16 bar | 140 l/min (8bar) | 2003/10/CE | Max 85 dB | OK |
| Valve | Acetal plastic | 68 dB (8 bar), (67 db at 6 bar) | -10°C to +80°C | OSHA 1910.95 (b) | Max 90 dB 8 hr | OK |
| Gaskets / O-rings | Nitrile | ~0,125 kg | | OSHA STD 1-13.1 | Max 30 psi when blocked | OK |
| Blowing tube & shaft | Steel, el. galvanised | | | | | |
| Spring | Hardened spring wire | | | | | |

