

## Safety Air Boy® 3,5 bar

Safety blowgun with automatic pressure reduction to 3,5 bar



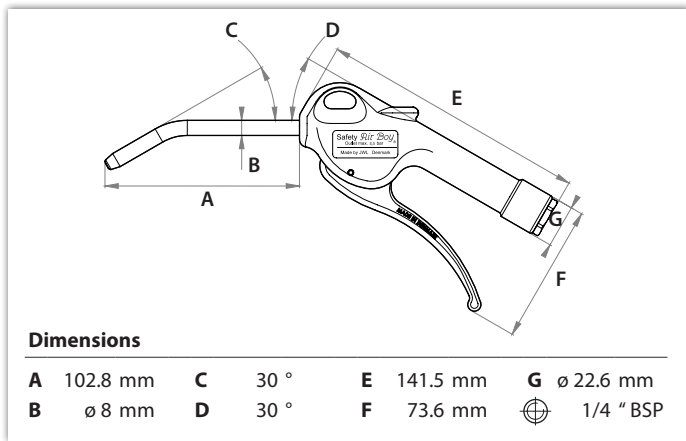
Safety Air Boy® blowgun with ø8mm bent pipe.

The Safety Air Boy® blowgun is fitted with a pressure reduction valve inside the handle of the blowgun. The outlet pressure is automatically limited to max 3,5 bar when the nozzle is blocked.

The noise level is also minimal with 76,5 dB at 8 bar and thereby meets the OSHA standard for occupational noise exposures (OSHA 1910.95 (b))

The JWL ergonomic design is a classic in itself. We use the compressed air to ease the activating of the handle making it easy, accurate and simple to operate.

The Safety Air Boy® Classic is produced in an impact-resistant acetal plastic (POM).



**25**  
Year Warranty  
Jahre Garantie  
ans de Garantie  
años de garantía  
års garanti

The durability of our blowguns is top notch - even after 28 million operations. Therefore, we are also proud to offer you a 25 year warranty on the valve system in your Air Boy® blowgun!

Materials		Specifications		Directives		
Handle and trigger	Acetal plastic	Max 16 bar	220 l/min (8bar)	2003/10/CE	Max 85 dB	OK
Valve	Acetal plastic	76,5 dB (8 bar), (73,5 db at 6 bar)	-10°C to +80°C	OSHA 1910.95 (b)	Max 90 dB 8 hr	OK
Gaskets / O-rings	Nitrile	~0,130 kg		OSHA STD 1-13.1	Max 30 psi when blocked	-
Blowing tube & shaft	Steel, el. galvanised					
Spring	Hardened spring wire					

